



Video Door Phone

Model No: CP-UVK-A431

OUTDOOR STATION

Product appearance of outdoor station is as shown in figure1 and 2.

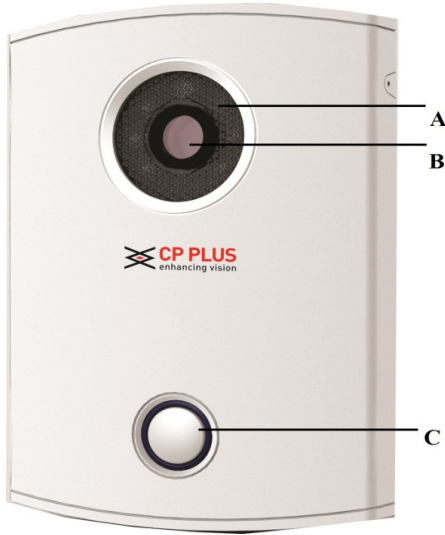


Image1. Front view

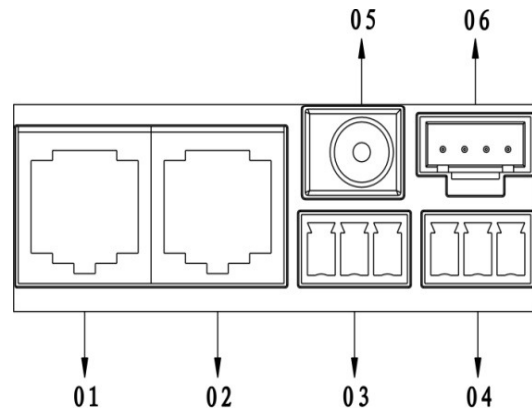


Image2. Rear view

NO	NAME	DESCRIPTION
A	LED assistant	Provide Lighting for better visibility, if there is no enough light in environment.
B	Camera	Capture door view to send to the monitor.
C	Calling button	Touch this button to call Indoor unit to communicate.
1	Network Port 1	Connect to Indoor unit 1.
2	Network Port 2	Connect to Indoor unit 2.
3	3PIN Port 1	For Door lock.
4	3PIN Port 2	For Door Sensor and Unlock button.
5	Power Port	Connect DC24V/1A Power Supply.
6	Test port	Debug port.

Specification

Power	DC 24V/1A. Standby \leq 1W; Working \leq 4W.
Camera	Color 600 TVL, Angle:-75°
Illumination	0.005 LUX
Communication method	Duplex communication
Communication duration	120 sec
Working temperature	-30~+60°C
IP rating	IP53

INDOOR MONITOR

Product appearance of Indoor Monitor is as shown in and figure 4.

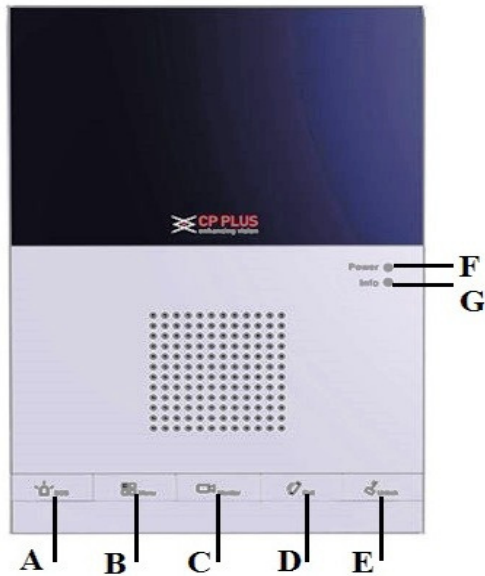


Figure3.Front View

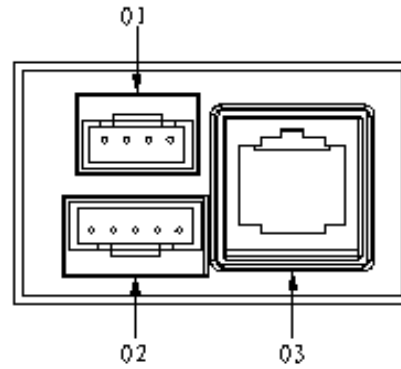


figure3

Figure4.Rear View

NO	NAME	DESCRIPTION
A	SOS	Mode setting selection.
B	Menu	Menu/Arming/Disarming
C	Call	Answer a call and hang it up. Under standby status, long press call button for 5s, to turn on or turn off DND.
D	Monitor	Monitor door station video. You may press this button to view alarm info if available.
E	Unlock	Unlock the door lock.
F	Power	Power indication.
G	Info	No announcement or alarm: <ul style="list-style-type: none"> ● Arm: indicator on ● Disarm: indicator off. Announcement without alarm: <ul style="list-style-type: none"> ● Indicator flashed slowly. ● Alarm: Indicator flashes quickly.
01	Alarm Port	Alarm Output port
02	Alarm Port	Alarm Input Port. Support 4 Alarm Inputs.
03	Network Port	Connect with outdoor unit.

Specification

Power	DC 24V/1A. Standby ≤ 1W; Working ≤ 5W.
Screen	Color 4.3" TFT Screen. Resolution 480*272.
Communication method	Duplex communication
Talking Time	120 sec

Monitoring Time	30 sec
Ringing Time	20 sec
Alarm Time	30 sec
Working temperature	-10~+55°C

Configuration Diagram

Villa kit consists of the indoor and outdoor unit. The indoor and outdoor unit connected with each other through a network cable (CAT 5 or CAT 6). A 24V/1A power supply connected to outdoor unit will drive power to indoor unit. We can connect door lock, unlock button and door sensor with the outdoor unit. Please follow image for the connection diagram.

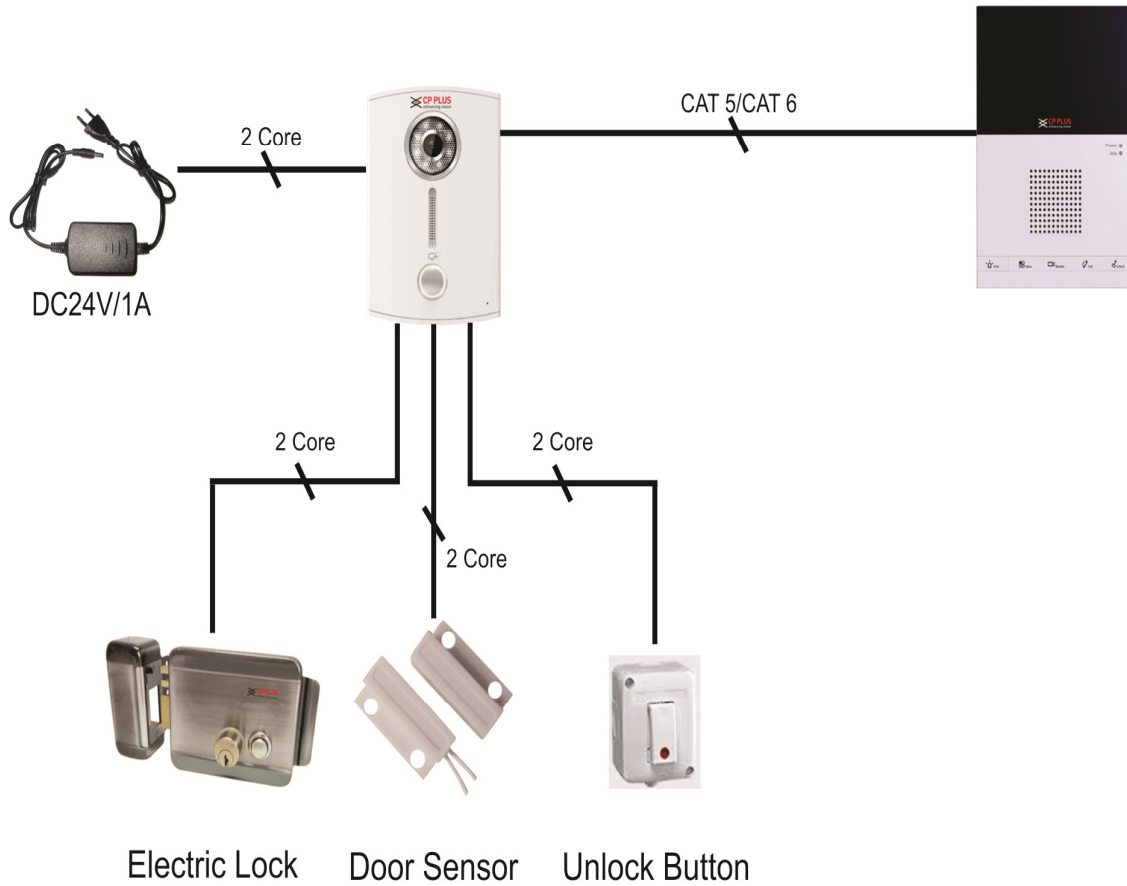


Figure 5

Caution

Outdoor unit supports connection with two indoor units. Indoor unit can be connected to any port on the outdoor unit. If you want to have two indoor units connected to one outdoor unit please use power supply of rating 24V/2.5A.

Wiring Connection

A) Lock and Unlock Button.

To connect Electric lock and unlock button to outdoor unit please see figure 6.

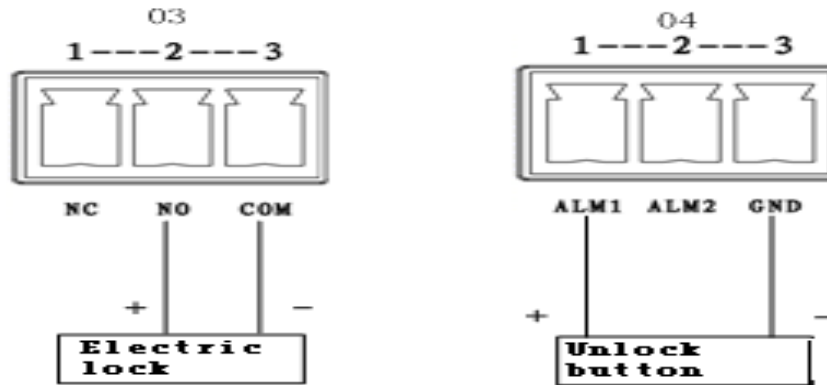


Figure 6

1. As shown in figure connect one terminal of Electric Lock with “NO” and next with “COM” on port 3 of outdoor unit.
2. As shown in figure connect unlock button one terminal with “ALM1” and next terminal to “GND” on port 4 of outdoor unit.

B) Door Sensor.

To connect door sensor with outdoor unit see figure 7.

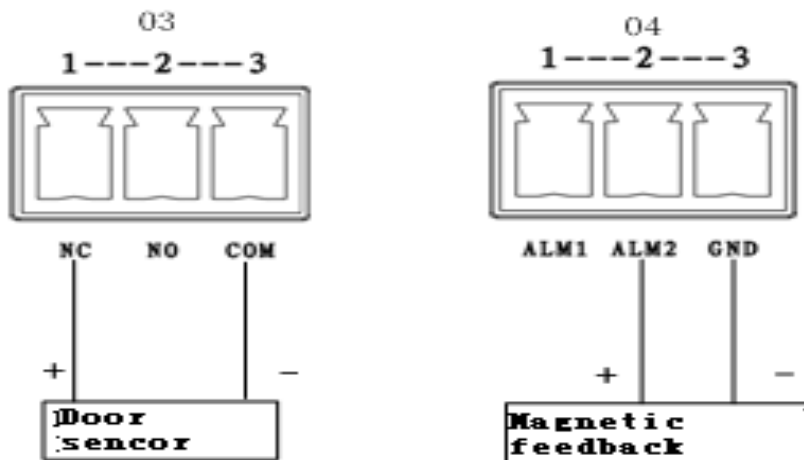
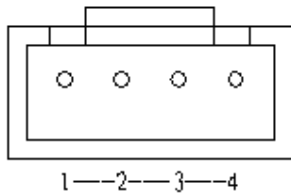


Figure 7

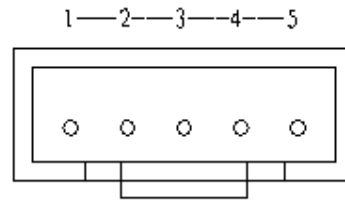
1. As shown in figure connect one terminal of door sensor with “NC” and next with “COM” on port 3 of outdoor unit.
2. When Outdoor unit is connected to door sensor for its magnetic feedback, connect magnetic feedback one terminal to “ALM 2” and connect next terminal with “GND” on Port4 of outdoor unit.

C) Sensor connectivity on Indoor unit.

Indoor unit supports 4 channels for alarm. Below are the ports and channel details.



Alarm Output Port



Alarm Input Port

Figure8.

Alarm Input Channel	Alarm Message	Alarm Ring
1	GND	N/A
2	Alarm 4	Yes
3	Alarm 3	Yes
4	Alarm 2	Yes
5	Alarm 1	Yes
Alarm Output Channel	Channel Details	
1	NC	
2	Alarm Output	
3	Ground	
4	NC	

Operation

- Visitor Call**
The visitors press/touch the call button on outdoor unit. The visitor video appears on the indoor unit. Press call button to have a bidirectional talk with the outdoor unit. You may end call by pressing call button again, and the Indoor unit will return to standby interface.
- Monitor**
Press the monitor button on indoor unit to have the view of outdoor unit.
- Unlock Door**
Remotely unlock the door lock by pressing the unlock button during monitoring, call from outdoor station.
- DND Function**
Turn on DND function by long pressing call button for 5s; meantime the screen turns on, there will be corresponding message at left-middle position. Under DND, when door station calls, you may use the video function without incoming ring. You can connect and start to talk by pressing call button.
The default DND is for 8 hours, and after 8 hours, it will be automatically canceled. To manually turn off DND: under standby status, long press call button for 5s to turn it off.
- Arming/Disarming**
Under standby status, press Menu button to view Main menu. You may select Arm or Disarm by pressing SOS button. You may change arm or disarm by pressing call button. Press menu button again to exit. Corresponding message will be displayed at left middle position, while the info indicator is on.

- **Alarm Message and Reporting**

Indoor unit has 4 channels for alarm, with first channel for Ground terminal. Under arming status, for alarm triggered in any channel, its corresponding alarm message will be displayed on screen, meanwhile indicator will flash and ring. You may confirm alarm message by pressing monitor button, and then indicator resumes, ring stops and alarm message is cleared.

- **Special Features**

Vandal Proof

There is one channel of vandal proof which will generate alarm sound and the alarm plus video will be reported to Indoor unit once Outdoor unit is forced to leave the wall.

Door unlocked overtime alarm

When door has been opened for more than 120s, Outdoor unit will generate alarm and meanwhile the alarm plus video will be reported to Indoor unit.

Installation Diagram

Outdoor Unit

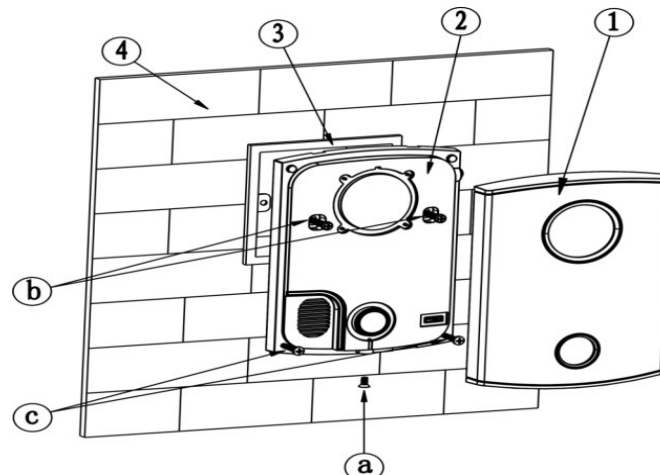


Figure 9

1. Remove screw “a” under Outdoor unit, and remove decoration cover ①.
2. According to guide complete connection of Outdoor unit, take out power and network cable from outdoor unit.
3. Use screw “b” to fix Outdoor unit into 86 box ③ inside wall ④.
4. Use screw “c” to fix Outdoor unit onto wall;
5. Install decoration cover ① onto Outdoor unit ②, and use screw “a” to fix.

Screw Illustration		
No.	Name	Symbol
a	M3×8 cross recessed countersunk head horizontal screw - galvanized black	
b	M4×30 cross recess head horizontal screw	
c	ST3×18 cross recess top screw-nickel silver	
d	Expansion pipe Φ 6*30mm white	

Indoor Unit

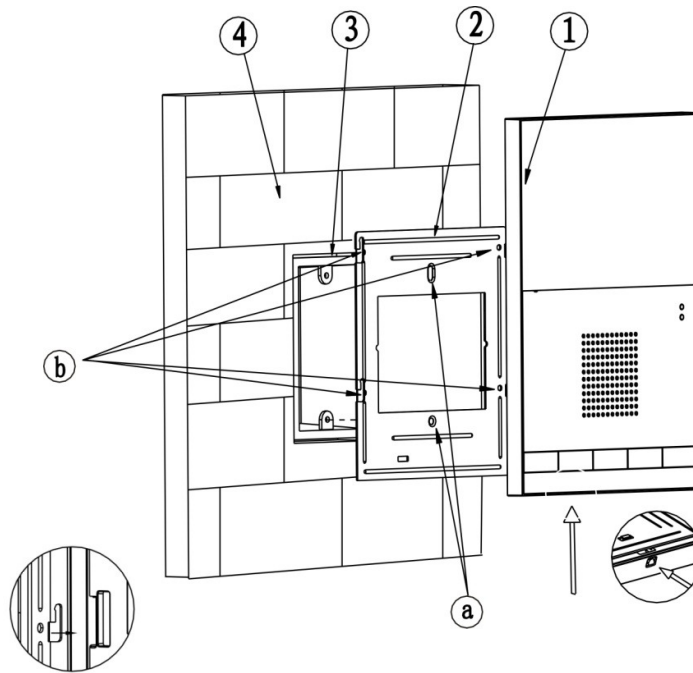


Figure 10

1. Fix bracket ② onto wall ④, use screw “a” to fix bracket onto 120 box ③. And use screw “b” to fix it onto wall. (As ② in the figure)
2. Face rear installation slot to slot on bracket. Make it against wall and push lightly downward until it is plugged into slot on bracket.
3. Remove: Insert small screwdriver into hole on device ①, and push device upward until removed.

Screw Illustration			
No.	Name	Illustration	Quantity
a	ST3×18 Cross recessed pan head tapping screws - white alloy		3
b	M4×30 Cross recessed pan head screws		2
c	Expansion pipe φ 6*30mm white		3

Cable Specifications

Network Cable

Cable	0<length<50m	50<length<100m
UTP Cat5e/Cat6:10 ohm/100m	☑	☑
UTP Cat5e/Cat6:18.8 ohm/100m	☑	

Power Cable

Power Cable	0<length<30m	30<length<100m
20AWG or 18AWG	☑	☑
RVV2*0.5 or 22AWG	☑	

Note:

- This manual is for reference only. Slight difference may be found in user interface.
- All the designs and software here are subject to change without prior written notice.
- All trademarks and registered trademarks are the properties of their respective owners.
- If there is any uncertainty or controversy, please refer to the final explanation of us.
- Please visit our website or contact your local service engineer for more information.